

### 1. OVERVIEW

The CF7060xxV/WF7060xxV series are differential output oscillator ICs of the LVDS output type.

They support 125degree operation and wide range of output frequencies.

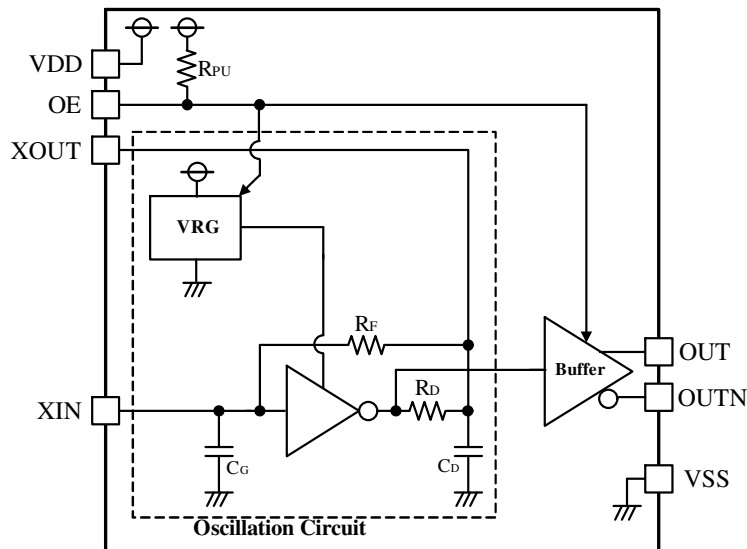
They are suitable for high frequency applications such as high speed communication devices.

They use an oscillation circuit suitable for small crystal elements, therefore suitable for a small package oscillation module.

### 2. FEATURES

- Operating supply voltage: 2.25V to 3.63V
- Recommended oscillation frequency ( $f_0$ ): 3rd overtone frequency 100MHz to 320MHz  
Fundamental frequency 100MHz to 320MHz
- Output frequency ( $f_{OUT}$ ):  $f_0$
- Oscillator capacitances:  $C_G, C_D$  built-in
- Output level: LVDS
- Standby function: Oscillator stops, Hi-Z outputs,  
Power saving pull-up resistor built-in (OE output)
- Oscillation detection circuit built-in

### 3. BLOCK DIAGRAM

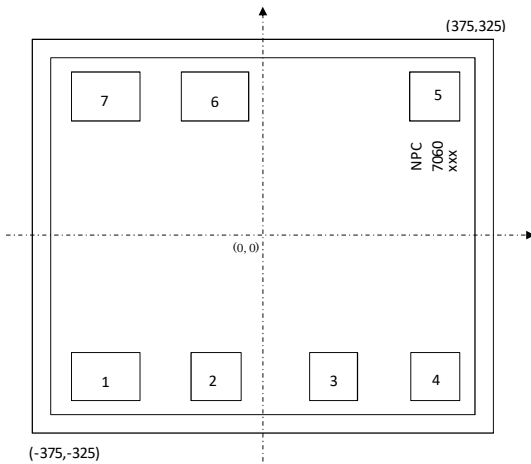


### 4. PAD LAYOUT

- (1) Chip size\*1: X=0.75mm, Y=0.65mm
- (2) Rear surface potential: V<sub>SS</sub> level
- (3) Pad size: No. 1, 6, 7:100μm × 80μm  
No. 2, 3, 4, 5:80μm × 80μm
- (4) Chip dimensions

\*1. Chip size is measured between scribe line centers.

Pad Coordinates (Origin in chip center), Unit: [μm]



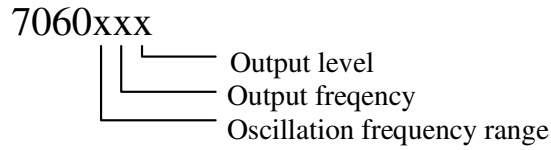
No.	X	Y	Name
1	-271	-231	VDD
2	-77	-231	XIN
3	115	-231	XOUT
4	281	-231	OE
5	281	231	VSS
6	-93	231	OUTN
7	-271	231	OUT

### 5. PAD DESCRIPTION

Number	Name	I/O*1	Function
1	VDD	-	(+) Supply voltage
2	XIN	I	Oscillator connections
3	XOUT	O	
4	OE	I	Output enable. Outputs are disabled when OE is V <sub>SS</sub> level. Disabled state: Oscillator stopped, Hi-Z outputs
5	VSS	-	(-) Supply voltage
6	OUTN	O	output (inverting output) Disabled state: Hi-Z
7	OUT	O	output Disabled state: Hi-Z

\*1. I : Input, O : Output

## 6. VERSION LINEUP



(1) Version name 1<sup>st</sup> character (oscillation frequency range)

Version	Oscillation mode	Recommended C0 value (pF) <sup>*1</sup>	Oscillator capacitance (pF) <sup>*2</sup>		Oscillation frequency (reference values) f <sub>0</sub> (MHz)
			C <sub>G</sub>	C <sub>D</sub>	
D	3rd overtone Fundamental	1.0~ 2.0 <sup>*3</sup>	4	11	100~135
E	3rd overtone Fundamental	1.0~ 2.0 <sup>*3</sup>	4	9	135~175
F	3rd overtone Fundamental	1.0~ 2.0 <sup>*3</sup>	2	4	175~250
G	3rd overtone Fundamental	1.0~ 2.0 <sup>*3</sup>	0	1	250~320

- \*1. This is the recommended range based on the circuit design.
- \*2. Values do not include parasitic capacitance.
- \*3. This version has a C0 cancel circuit to ensure negative resistance at high frequency.  
A self-oscillation becomes easy to happen coldly, so please be careful and do initial evaluation.

(2) Version name 2<sup>nd</sup> character (output frequency)

Version	Output frequency (f <sub>OUT</sub> )
1	f <sub>0</sub>

(3) Version name 3<sup>rd</sup> character (Output level)

Version	Output level
V	LVDS

### 7. ABSOLUTE MAXIMUM RATINGS

V<sub>SS</sub>=0V

Parameter	Symbol	Conditions	Rating	Unit	Notes
Supply voltage range	V <sub>DD</sub>	Between VDD and VSS	-0.3 ~ +4.5	V	*1
Input voltage range1	V <sub>IN1</sub>	OE	-0.3 ~ V <sub>DD</sub> +0.3	V	*1、*2
Input voltage range2	V <sub>IN2</sub>	XIN	-0.3 ~ +2.5	V	*1、*2
Output voltage range1	V <sub>OUT1</sub>	OUT,OUTN	-0.3 ~ V <sub>DD</sub> +0.3	V	*1、*2
Output voltage range2	V <sub>OUT2</sub>	XOUT	-0.3 ~ +2.5	V	*1、*2
Junction temperature	T <sub>j</sub>		+150	°C	*3
Storage temperature	T <sub>STG</sub>	Chip, wafer form	-55 ~ +150	°C	*4

\*1. Absolute maximum ratings are the values that must never exceed even for a moment. This product may suffer breakdown if any one of these parameter ratings is exceeded. Operation and characteristics are guaranteed only when the product is operated at recommended supply voltage range.

\*2. V<sub>DD</sub> is a V<sub>DD</sub> value of recommended operating conditions.

\*3. Do not exceed the absolute maximum ratings. If they are exceeded, a characteristic and reliability will be degraded.

\*4. When stored alone in nitrogen or vacuum atmosphere.

### 8. RECOMMENDED OPERATING CONDITIONS

V<sub>SS</sub>=0V

Parameter	Symbol	Conditions	MIN	TYP	MAX	Unit
Oscillation frequency <sup>*1</sup>	f <sub>0</sub>	-	100	-	320	MHz
Output frequency	f <sub>OUT</sub>	-	100	-	320	MHz
Operating supply voltage	V <sub>DD</sub>	VDD and VSS <sup>*2</sup>	2.25	-	3.63	V
Input voltage	V <sub>IN1</sub>	OE	0	-	V <sub>DD</sub>	V
	V <sub>IN2</sub>	XIN	0	-	2.0	V
Operating temperature	T <sub>a</sub>	-	-40	-	+125	°C
Output load resistance	R <sub>L</sub>	Between OUT and OUTN	99	100	101	Ω

\*1. The oscillation frequency range is a target based on evaluation results for the crystal element used for NPC characteristics verification, and does not represent a guarantee of the oscillation frequency band. The oscillation characteristics can vary significantly depending on the characteristics and mounting conditions of the crystal. Accordingly, oscillation characteristics should be thoroughly evaluated for each crystal.

\*2. For stable operation of this product, please mount ceramic chip capacitor that is more than 0.01uF between VDD and VSS in close proximity to IC (within 3mm). Wiring pattern between IC and capacitor should be as thick as possible.

\* Since it may influence the reliability if it is used out of the recommended operating conditions range, this product should be used within this range.

### 9. ELECTRICAL CHARACTERISTICS

#### 9.1. DC Characteristics

Measurement circuits 1 and 2 in “Conditions” are shown in “12. MEASUREMENT CIRCUITS.”

$V_{DD}=2.25$  to  $3.63V$ ,  $V_{SS}=0V$ ,  $T_a=-40$  to  $+125^{\circ}C$  unless otherwise noted

Parameter	Symbol	Conditions	MIN	TYP	MAX	Unit
Current consumption	$I_{DDD}$	Measurement circuit 1 , OE=Open $f_0=125MHz$ , D1Vver $V_{DD}=3.3V$	-	17.0	23.5	mA
	$I_{DDE}$	Measurement circuit 1 , OE=Open $f_0=156MHz$ , E1Vver $V_{DD}=3.3V$	-	17.5	24.0	mA
	$I_{DDF}$	Measurement circuit 1 , OE=Open $f_0=200MHz$ F1Vver $V_{DD}=3.3V$	-	22.0	30.0	mA
	$I_{DDG}$	Measurement circuit 1 , OE=Open $f_0=312MHz$ G1Vver $V_{DD}=3.3V$	-	25.0	35.0	mA
Standby current	$I_{STB}$	Measurement circuit 1, OE= $V_{SS}$	-	-	30	$\mu A$
High-level output voltage	$V_{OH}$	Measurement circuit 2, OUT/OUTN	-	1.43	1.60	V
Low-level output voltage	$V_{OL}$	Measurement circuit 2, OUT/OUTN	0.90	1.10	-	V
Differential output voltage	$V_{OD}$	Measurement circuit 2, OUT/OUTN	247	330	454	mV
Differential output voltage error	$\Delta V_{OD}$	Measurement circuit 2	-	-	50	mV
Offset voltage	$V_{OS}$	Measurement circuit 2, OUT-OUTN	1.125	1.250	1.375	V
Offset voltage error	$\Delta V_{OS}$	Measurement circuit 2	-	-	50	mV

$V_{DD}=2.25\sim 3.63V$ ,  $V_{SS}=0V$ ,  $T_a=-40\sim +125^{\circ}C$

Parameter	Symbol	Conditions	MIN	TYP	MAX	Unit
High-level input	$V_{IH}$	Measurement circuit 1, OE	$0.7V_{DD}$	-	-	V
Low-level input voltage	$V_{IL}$	Measurement circuit 1, OE	-	-	$0.3V_{DD}$	V
OE pull-up resistance	$R_{PU1}$	Measurement circuit 1	0.5	1	2	$M\Omega$
	$R_{PU2}$	Measurement circuit 1	30	70	150	$k\Omega$
Oscillator feedback resistance (D1V ver.)	$R_{FD}$	Design value	1.8	2.3	2.9	$k\Omega$
Oscillator feedback resistance (E1V ver.)	$R_{FE}$	Design value	1.8	2.3	2.9	$k\Omega$
Oscillator feedback resistance (F1V ver.)	$R_{FF}$	Design value	2.4	3.1	3.9	$k\Omega$
Oscillator feedback resistance (G1V ver.)	$R_{FG}$	Design value	1.5	1.9	2.4	$k\Omega$
Oscillator capacitance (D1V ver.)	$C_{GD}$	Design value,	3.2	4.0	4.8	pF
	$C_{DD}$	Excludes parasitic capacitance	8.8	11.0	13.2	
Oscillator capacitance (E1V ver.)	$C_{GE}$	Design value,	3.2	4.0	4.8	pF
	$C_{DE}$	Excludes parasitic capacitance	7.2	9.0	10.8	
Oscillator capacitance (F1V ver.)	$C_{GF}$	Design value,	1.6	2.0	2.4	pF
	$C_{DF}$	Excludes parasitic capacitance	3.2	4.0	4.8	
Oscillator capacitance (G1V ver.)	$C_{GG}$	Design value,	0.0	0.0	0.0	pF
	$C_{DG}$	Excludes parasitic capacitance	0.8	1.0	1.2	

### 9.2. AC Characteristics

Measurement circuits 3 and 4 in “Conditions” are shown in “12. MEASUREMENT CIRCUITS.”

$V_{DD}=2.25$  to  $3.63V$ ,  $V_{SS}=0V$ ,  $T_a=-40$  to  $+125^{\circ}C$  unless otherwise noted

Parameter	Symbol	Conditions	MIN	TYP	MAX	Unit
Output duty cycle	Duty	Measurement circuit 3 Measured at 0V crossover point of differential output signal	45	-	55	%
Output amplitude	$V_{OPP}$	Measurement circuit 3 Differential output signal	0.494	-	-	V
Output rise time	$t_r$	Measurement circuit 3 Measured between 20% and 80% amplitude of differential output signal	-	150	300	ps
Output fall time	$t_f$	Measurement circuit 3 Measured between 80% and 20% amplitude of differential output signal	-	150	300	ps
Output disable time	$t_{OD}$	Measurement circuit 4 Time measured $OE=V_{IL}$ (falling edge) and outputs going Hi-Z (see timing diagram for details)	-	-	200	ns

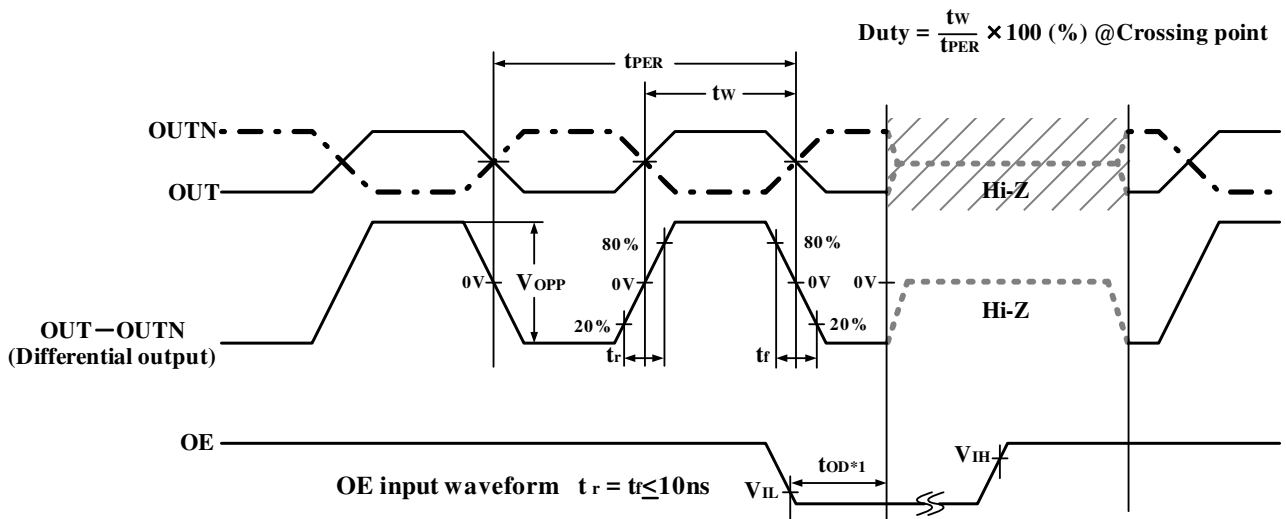
\*1. Since shipping inspection is not possible, it is guaranteed by characterization.

\* The ratings above are values obtained by measurements using an NPC evaluation standard crystal element, standard testing jig, and evaluation package.

Ratings may have wide tolerances due to crystal element characteristics, evaluation jig, and package parasitic capacitance, so thorough evaluation is recommended.

9.3. Timing Diagram

The timing diagram applies to the “Conditions” in the table in “9.2. AC Characteristics.”



\*1. When OE turns into LOW from HIGH, the output becomes Hi-Z.

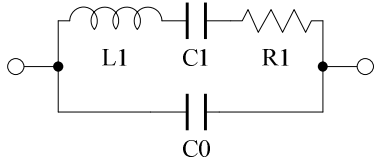
図 9. LVDS Timing diagram



## 10. REFERENCE CHARACTERISTICS (Typical 7060 Characteristics)

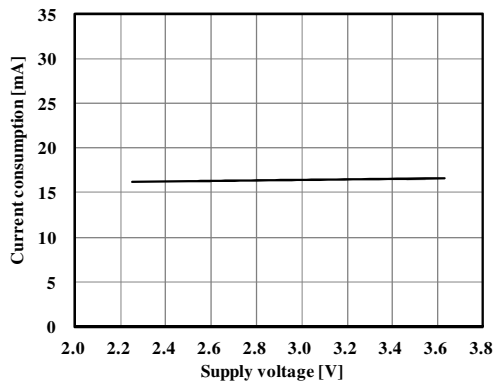
The following characteristics assume the use of the following crystal element.

The characteristics will vary depending on the crystal used and the measurement conditions.

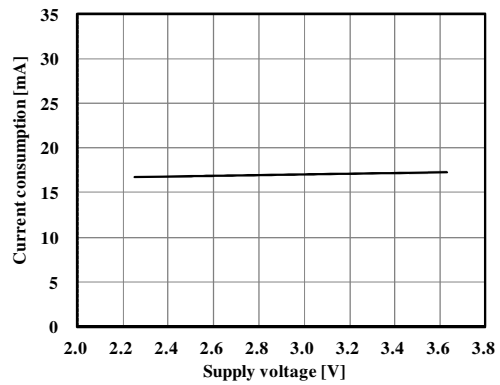


Parameter	$f_0=122\text{MHz}$	$f_0=155.25\text{MHz}$	$f_0=200\text{MHz}$	$f_0=312.5\text{MHz}$
C0(pF)	1.7	1.5	2.0	1.9
R1( $\Omega$ )	9	11	8.8	18
Oscillation mode	Fundamental	Fundamental	Fundamental	Fundamental

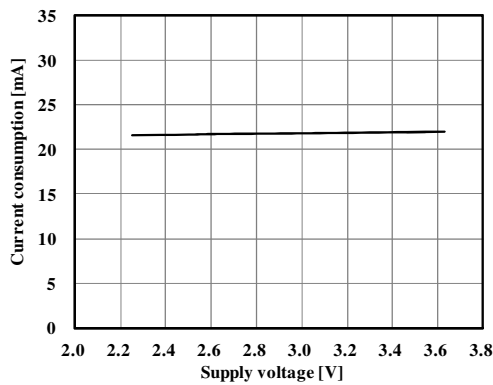
### 10.1. Current Consumption



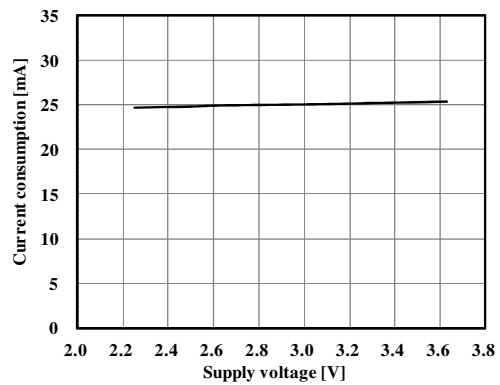
7060D1V,  $f_{OUT}=122\text{MHz}$ ,  $T_a=25^\circ\text{C}$



7060E1V,  $f_{OUT}=155.52\text{MHz}$ ,  $T_a=25^\circ\text{C}$

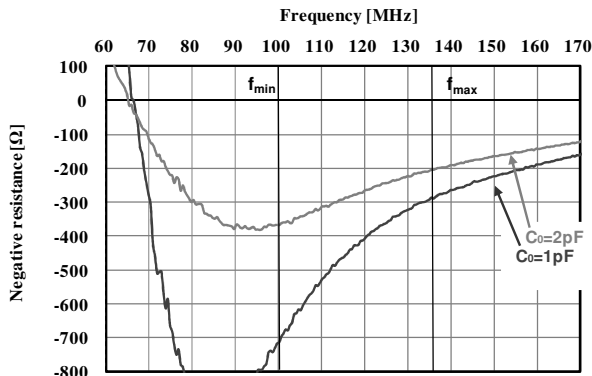


7060F1V,  $f_{OUT}=200\text{MHz}$ ,  $T_a=25^\circ\text{C}$

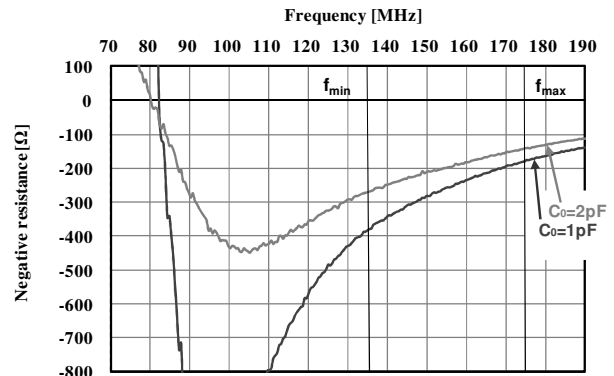


7060G1V,  $f_{OUT}=312.5\text{MHz}$ ,  $T_a=25^\circ\text{C}$

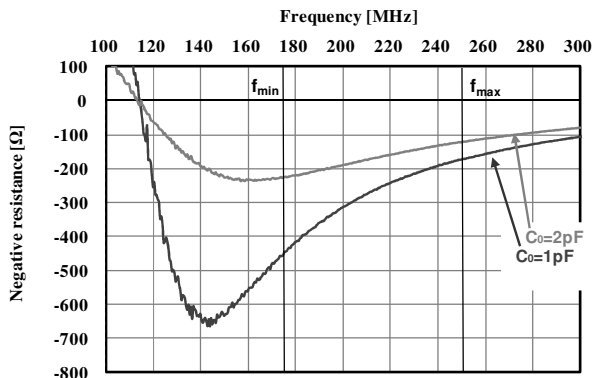
## 10.2. Negative Resistance



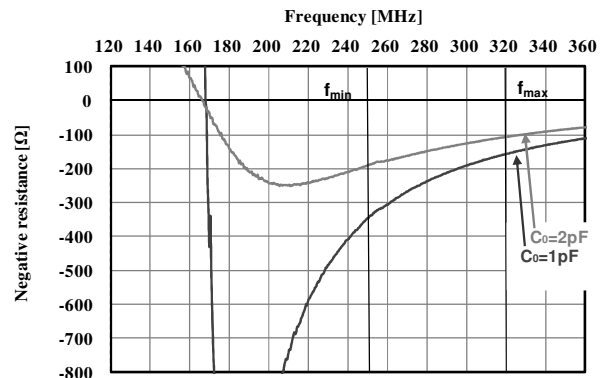
7060D1V,  $V_{DD}=3.3V$ ,  $T_a=25^\circ C$



7060E1V,  $V_{DD}=3.3V$ ,  $T_a=25^\circ C$

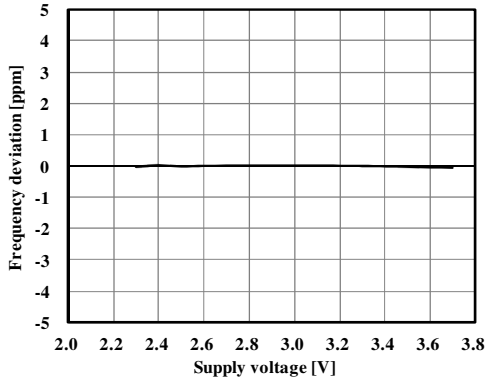


7060F1V,  $V_{DD}=3.3V$ ,  $T_a=25^\circ C$

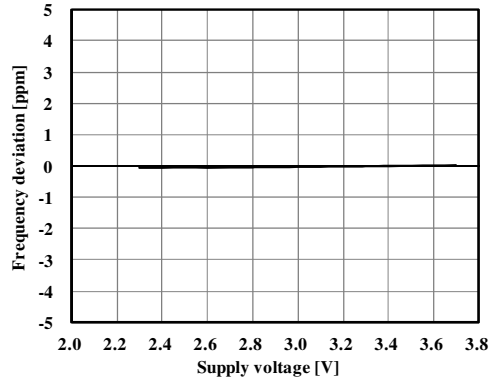


7060G1V,  $V_{DD}=3.3V$ ,  $T_a=25^\circ C$

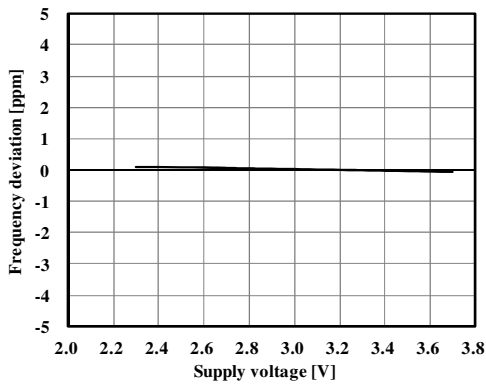
### 10.3. Frequency Deviation vs. Voltage



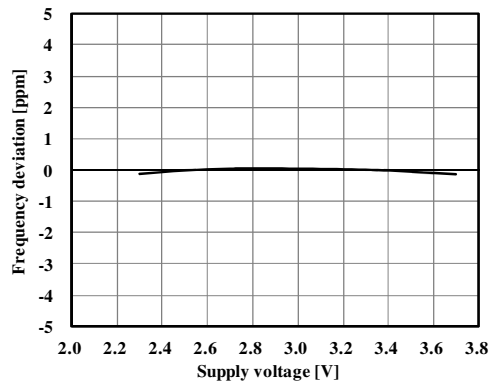
7060D1V,  $f_{OUT}=122\text{MHz}$ ,  $T_a=25^\circ\text{C}$ , 3.3V std.



7060E1V,  $f_{OUT}=155.52\text{MHz}$ ,  $T_a=25^\circ\text{C}$ , 3.3V std.



7060F1V,  $f_{OUT}=200\text{MHz}$ ,  $T_a=25^\circ\text{C}$ , 3.3V std.



7060G1V,  $f_{OUT}=312.5\text{MHz}$ ,  $T_a=25^\circ\text{C}$ , 3.3V std.

### 10.4. Drive Level

7060D1V,  $f_{OUT}=125\text{MHz}$ ,  $T_a=25^\circ\text{C}$

$V_{DD}[\text{V}]$	Drive level [ $\mu\text{W}$ ]
2.5	104.6
3.3	104.5

7060E1V,  $f_{OUT}=155.52\text{MHz}$ ,  $T_a=25^\circ\text{C}$

$V_{DD}[\text{V}]$	Drive level [ $\mu\text{W}$ ]
2.5	131.4
3.3	131.1

7060F1V,  $f_{OUT}=200\text{MHz}$ ,  $T_a=25^\circ\text{C}$

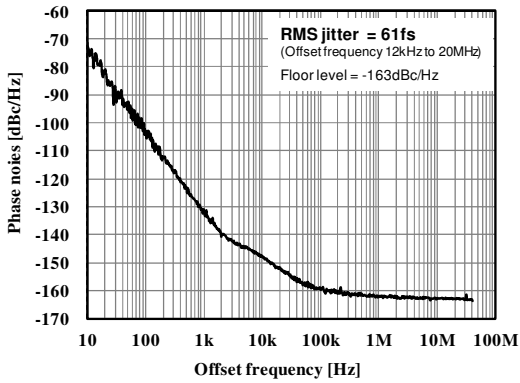
$V_{DD}[\text{V}]$	Drive level [ $\mu\text{W}$ ]
2.5	234.2
3.3	234.5

7060G1V,  $f_{OUT}=312.5\text{MHz}$ ,  $T_a=25^\circ\text{C}$

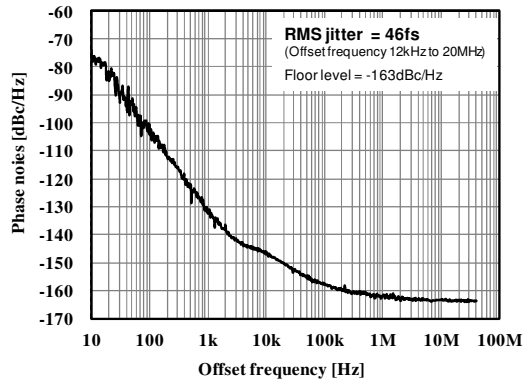
$V_{DD}[\text{V}]$	Drive level [ $\mu\text{W}$ ]
2.5	638.2
3.3	633.1

10.5. Phase Noise

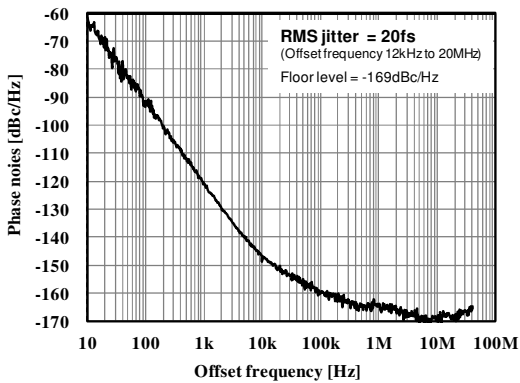
Measurement instrument: Agilent E5052B Signal Source Analyzer



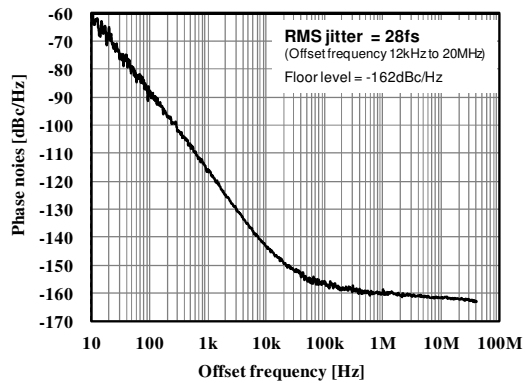
7060D1V,  $f_{OUT}=122\text{MHz}$ ,  $V_{DD}=3.3\text{V}$ ,  $T_a=25^\circ\text{C}$



7060E1V,  $f_{OUT}=155.52\text{MHz}$ ,  $V_{DD}=3.3\text{V}$ ,  $T_a=25^\circ\text{C}$



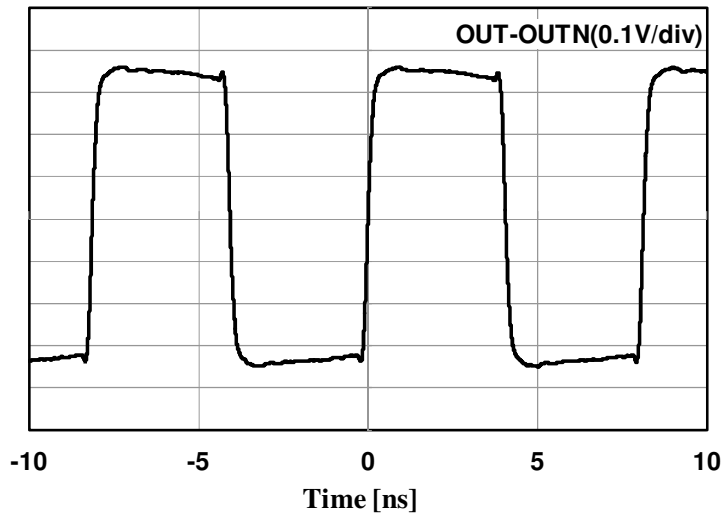
7060F1V,  $f_{OUT}=200\text{MHz}$ ,  $V_{DD}=3.3\text{V}$ ,  $T_a=25^\circ\text{C}$



7060G1V,  $f_{OUT}=312.5\text{MHz}$ ,  $V_{DD}=3.3\text{V}$ ,  $T_a=25^\circ\text{C}$

### 10.6. Output Waveforms

Measuring instrument: Agilent 80604B Oscilloscope

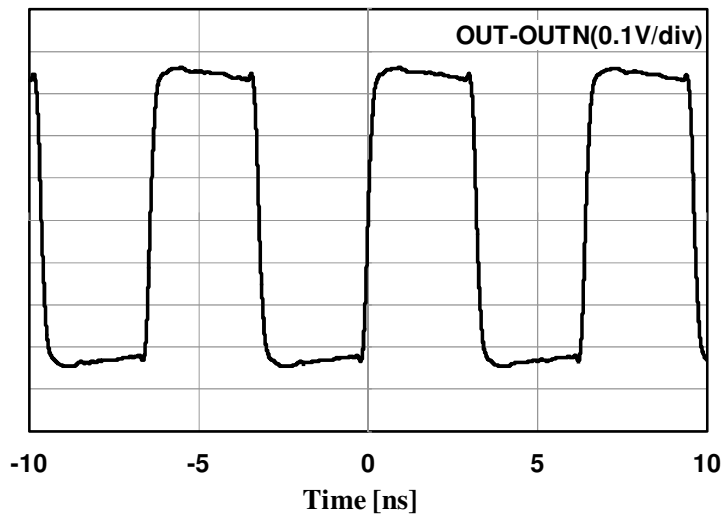


Duty = 50.5%

$t_r = 187\text{ps}$

$t_f = 186\text{ps}$

7060D1V,  $f_{\text{OUT}}=125\text{MHz}$ ,  $V_{\text{DD}}=3.3\text{V}$ ,  $T_a=25^\circ\text{C}$

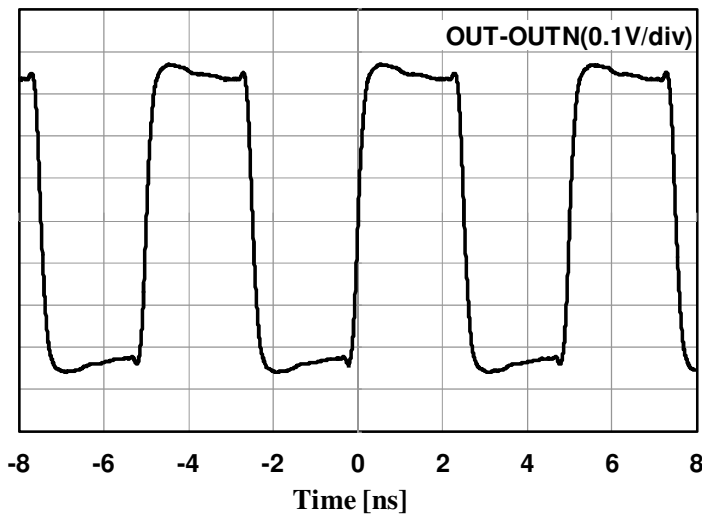


Duty = 50.8%

$t_r = 189\text{ps}$

$t_f = 185\text{ps}$

7060E1V,  $f_{\text{OUT}}=155.52\text{MHz}$ ,  $V_{\text{DD}}=3.3\text{V}$ ,  $T_a=25^\circ\text{C}$

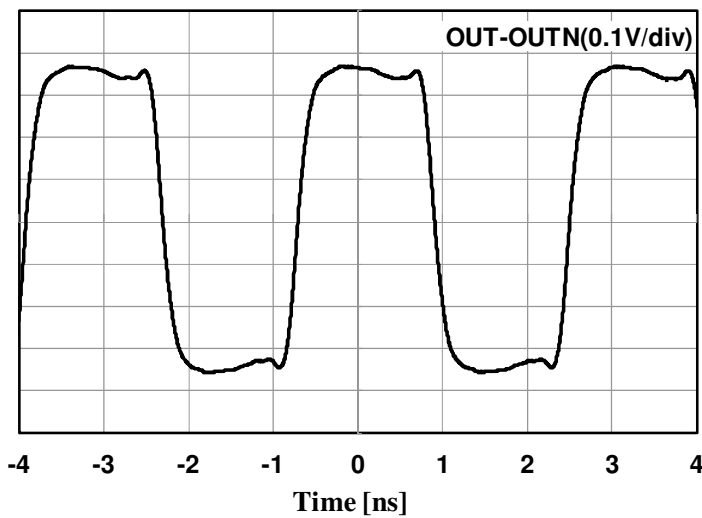


7060F1V,  $f_{OUT}=200\text{MHz}$ ,  $V_{DD}=3.3\text{V}$ ,  $T_a=25^\circ\text{C}$

Duty = 50.5%

$t_r = 186\text{ps}$

$t_f = 191\text{ps}$



7060G1V,  $f_{OUT}=312.5\text{MHz}$ ,  $V_{DD}=3.3\text{V}$ ,  $T_a=25^\circ\text{C}$

Duty = 50.1%

$t_r = 185\text{ps}$

$t_f = 183\text{ps}$

### 11. FUNCTIONAL DESCRIPTION

#### 11.1. OE Function

When OE turns into  $V_{SS}$ , the OUT/OUTN outputs stop and become high impedance. This function is used to disable the operation of the device.

OE input	OUT/OUTN outputs	Oscillator circuit
$V_{DD}$ or Open	$f_0$ output	Operating
$V_{SS}$	Hi-Z	Stopped

#### 11.2. Power Saving Pull-up Resistor

The pull-up resistor built in the OE pin switches to RPU1 or RPU2 depending on the input level (“VDD” or “VSS”).

Fixing the OE pin to the VSS level increases the pull-up resistance value (RPU1) and reduces current consumption.

When the OE pin is used with VDD or open, the pull-up resistance value becomes small (RPU2) and it is less susceptible to external noise.

This fixes the inside of the OE pin to the VDD level and avoids the problem of output stopping suddenly.

#### 11.3. Oscillation Detection Function

The IC has a built-in oscillation detection circuit.

The oscillation detection circuit disables the output circuit when the oscillator starts until the oscillation becomes stable. This function avoids the danger of unstable oscillation when the oscillator starts after power is first applied or the output is enabled.

#### 11.4. C0 cancellation circuit

Oscillation circuit with a built-in C0 cancellation circuit provides a fixed compensation amount to cancel the effect of the crystal C0. It reduces the C0 parameter in the equivalent circuit, reducing the shallow negative resistance for increasing values of C0.

This cancellation circuit makes it easier to maintain the oscillation margin.

## 12. MEASUREMENT CIRCUITS

These measurement circuits are used for DC and AC characteristics evaluation.

\*\*\*\*\* Cautions for output waveform \*\*\*\*\*

To obtain good waveform characteristics, place a ceramic chip capacitor of 0.01 μF (or more) between the VDD and VSS pins of the IC (within about 3 mm).

### 12.1. LVDS

- **Measurement circuit 1** Measurement parameters:  $I_{DD}$ ,  $I_{STB}$ ,  $V_{IH}$ ,  $V_{IL}$ ,  $R_{PU1}$ ,  $R_{PU2}$

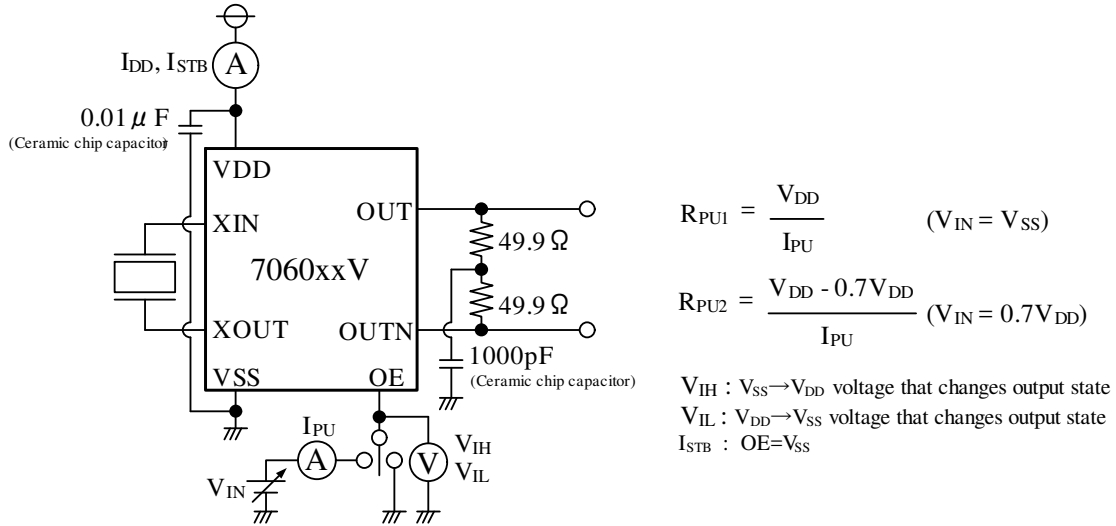


Fig 12-1. Measurement circuit 1

- **Measurement circuit 2** Measurement parameters:  $V_{OH}$ ,  $V_{OL}$ ,  $V_{OD}$ ,  $V_{OS}$

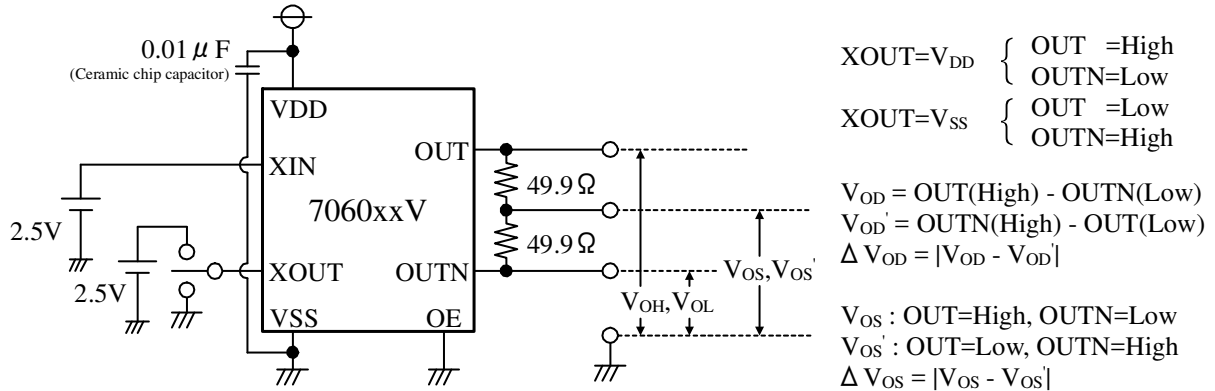


Fig 12-2. Measurement circuit 2



● **Measurement circuit 3** Measurement parameters: Duty,  $V_{OPP}$ ,  $t_r$ ,  $t_f$

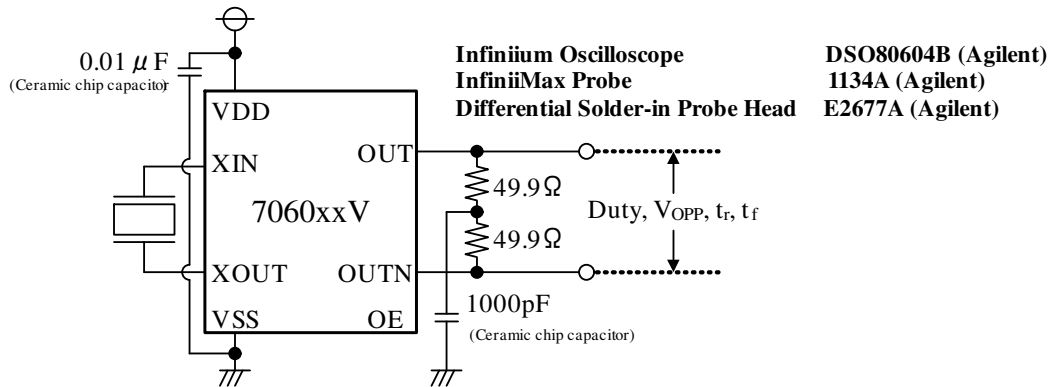


Fig 12-3. Measurement circuit 3

● **Measurement circuit 4** Measurement parameters:  $t_{OD}$

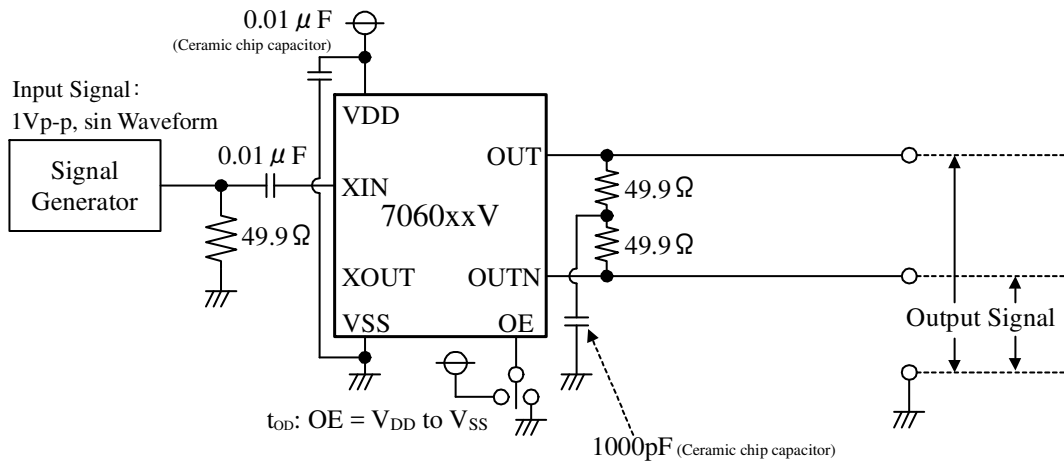
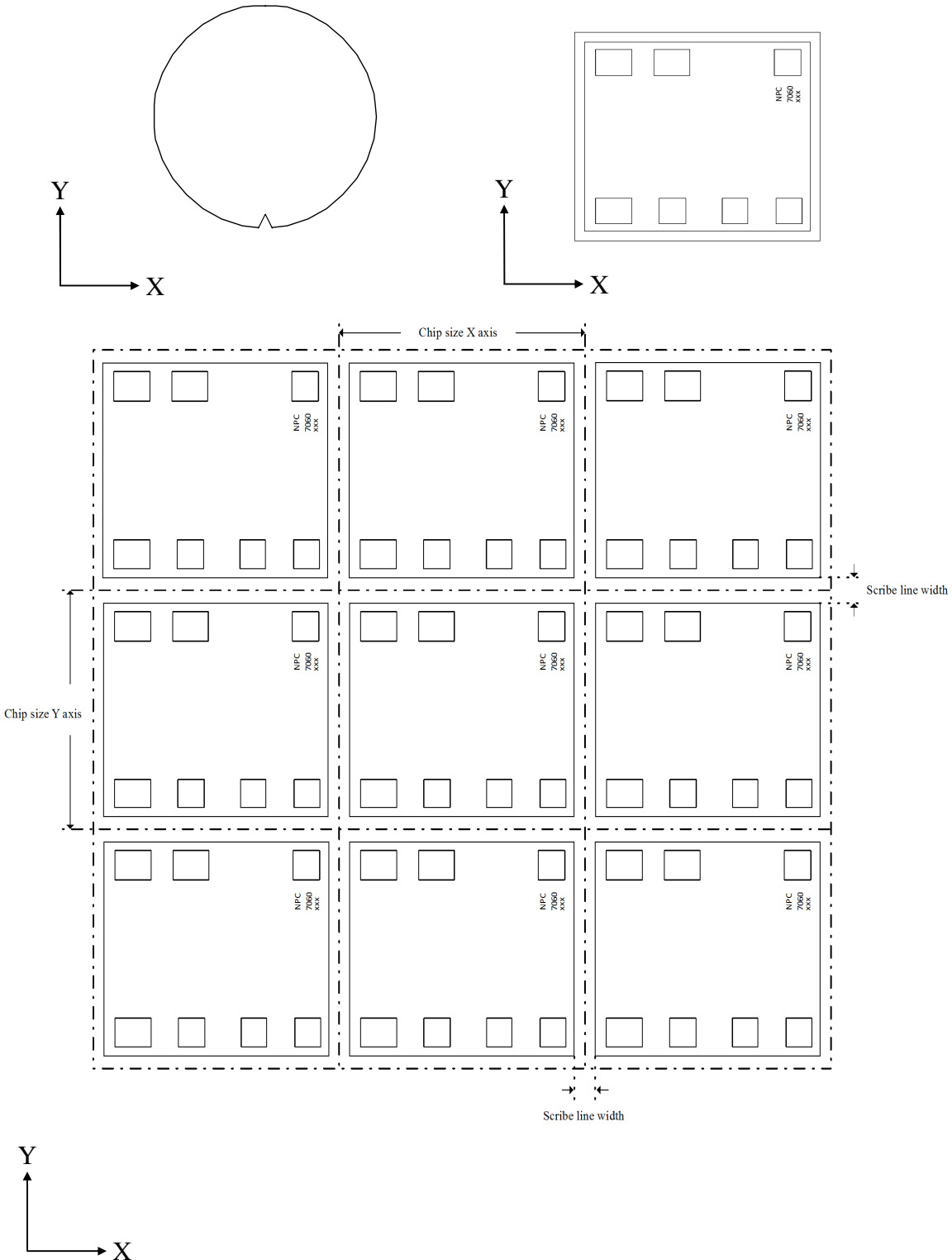


Fig 12-4. Measurement circuit 4

### 13. WAFER SURFACE DIAGRAM

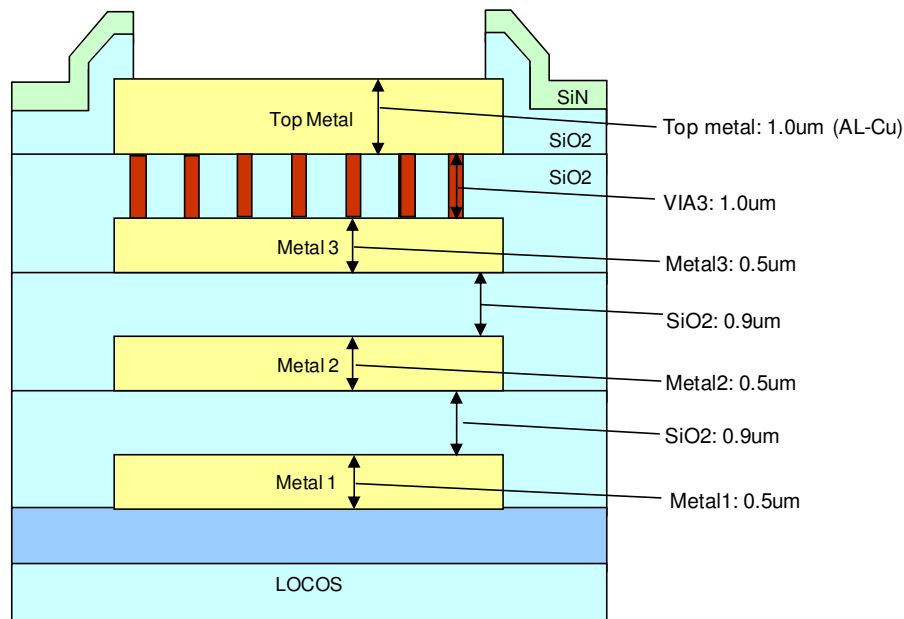
Wafer size: 200mm ± 0.5mm

Scribe line width: 60µm



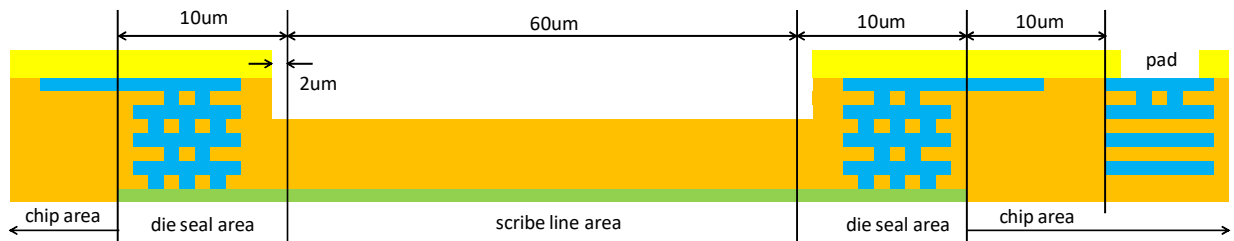
**14. CROSS SECTION STRUCTURE**

**14.1. PAD Cross Section Structure**



\*Film thickness of mention is a value in the designs as above and is not the actual value in the chip.

**14.2. Seal Ring and Scribe Line Cross Section Structure**



\*Width of mention is a value in the designs as above and is not the actual value in the chip.

<Notes on UBM formation>

In UBM (Under Bump Metal) formation to the mounting pad electrode by electroless plating, UBM is similarly formed on the scribe line TEG and the metal exposed part of the accessory. So mask process covering the scribe line is required to prevent these effects.

**15. USAGE AND PRECAUTIONS**

This product is designed and manufactured to the generally accepted standards of reliability as expected for use in general electronic and electrical equipment, such as personal equipment, machine tools, and measurement equipment. This product is not designed and manufactured to be used in any other special equipment requiring extremely high level of reliability and safety, such as aerospace equipment, nuclear power control equipment, medical equipment, transportation equipment, disaster prevention equipment, security equipment.

If you wish to use this product in equipment requiring extremely high level of reliability, please contact our sales department or representative in advance.

In the event that this product is used in such equipment, please take scrupulous care and apply fail-safe techniques including redundancy and malfunction prevention in order to prevent damage to life, health, property, or infrastructure etc. in case there is some malfunction in the product.

Please pay your attention to the following points at time of using the products shown in this document.

1. The products shown in this document (hereinafter "Products") are designed and manufactured to the generally accepted standards of reliability as expected for use in general electronic and electrical equipment, such as personal equipment, machine tools and measurement equipment. The Products are not designed and manufactured to be used in any other special equipment requiring extremely high level of reliability and safety, such as aerospace equipment, nuclear power control equipment, medical equipment, transportation equipment, disaster prevention equipment, security equipment. The Products are not designed and manufactured to be used for the apparatus that exerts harmful influence on the human lives due to the defects, failure or malfunction of the Products.  
If you wish to use the Products in that apparatus, please contact our sales section in advance.  
In the event that the Products are used in such apparatus without our prior approval, we assume no responsibility whatsoever for any damages resulting from the use of that apparatus.
2. NPC reserves the right to change the specifications of the Products in order to improve the characteristics or reliability thereof.
3. The information described in this document is presented only as a guide for using the Products. No responsibility is assumed by us for any infringements of patents or other rights of the third parties which may result from its use. No license is granted by implication or otherwise under any patents or other rights of the third parties. Then, we assume no responsibility whatsoever for any damages resulting from that infringements.
4. The constant of each circuit shown in this document is described as an example, and it is not guaranteed about its value of the mass production products.
5. In the case of that the Products in this document falls under the foreign exchange and foreign trade control law or other applicable laws and regulations, approval of the export to be based on those laws and regulations are necessary. Customers are requested appropriately take steps to obtain required permissions or approvals from appropriate government agencies.

**SEIKO NPC CORPORATION**

2-9-4, Taito, Taito-ku,  
Tokyo 110-0016, Japan  
Telephone: +81-3-6747-5300  
Facsimile: +81-3-6747-5303  
<http://www.npc.co.jp/>  
Email:sales@npc.co.jp

DE200123E 2020.10